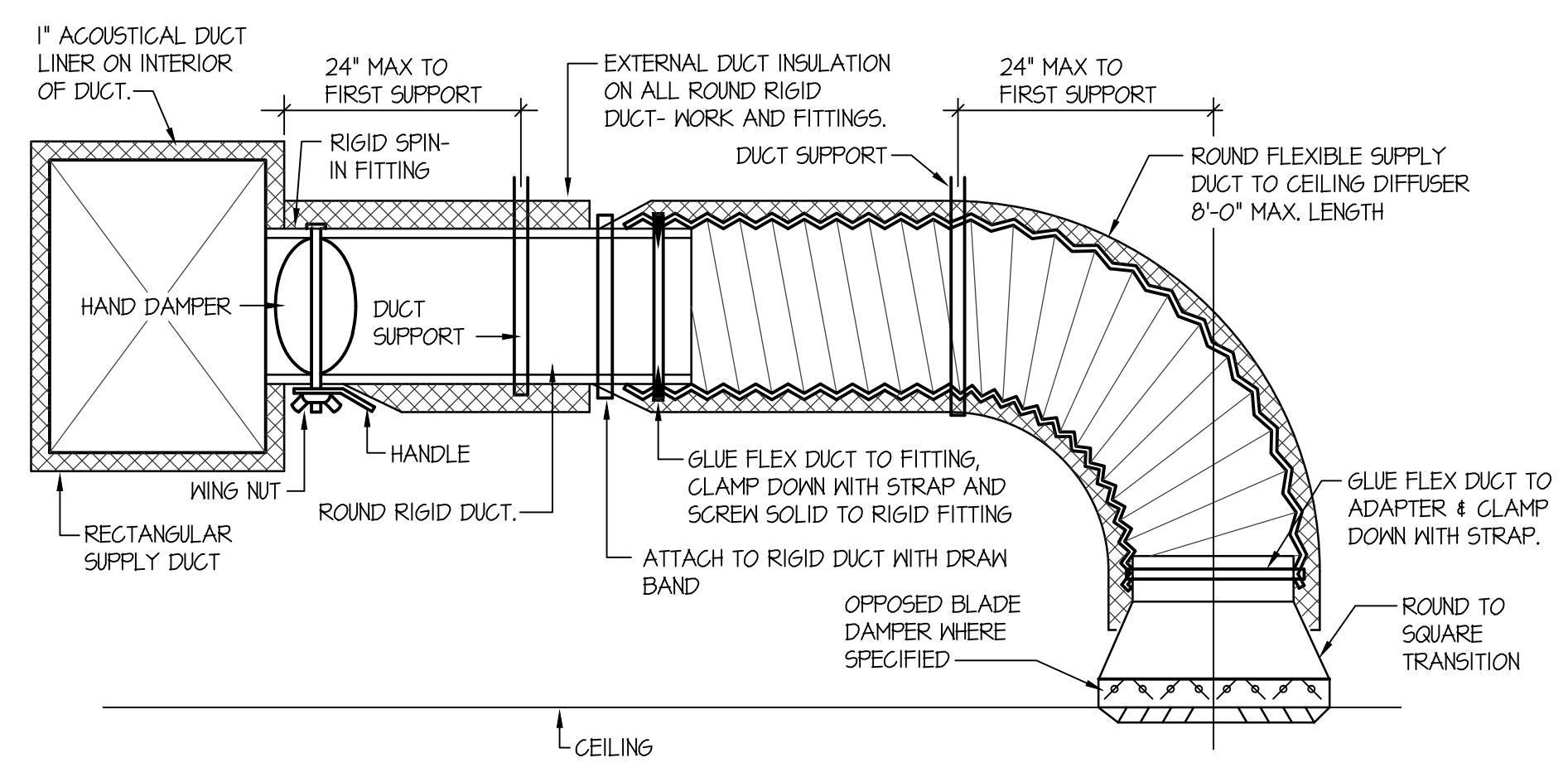


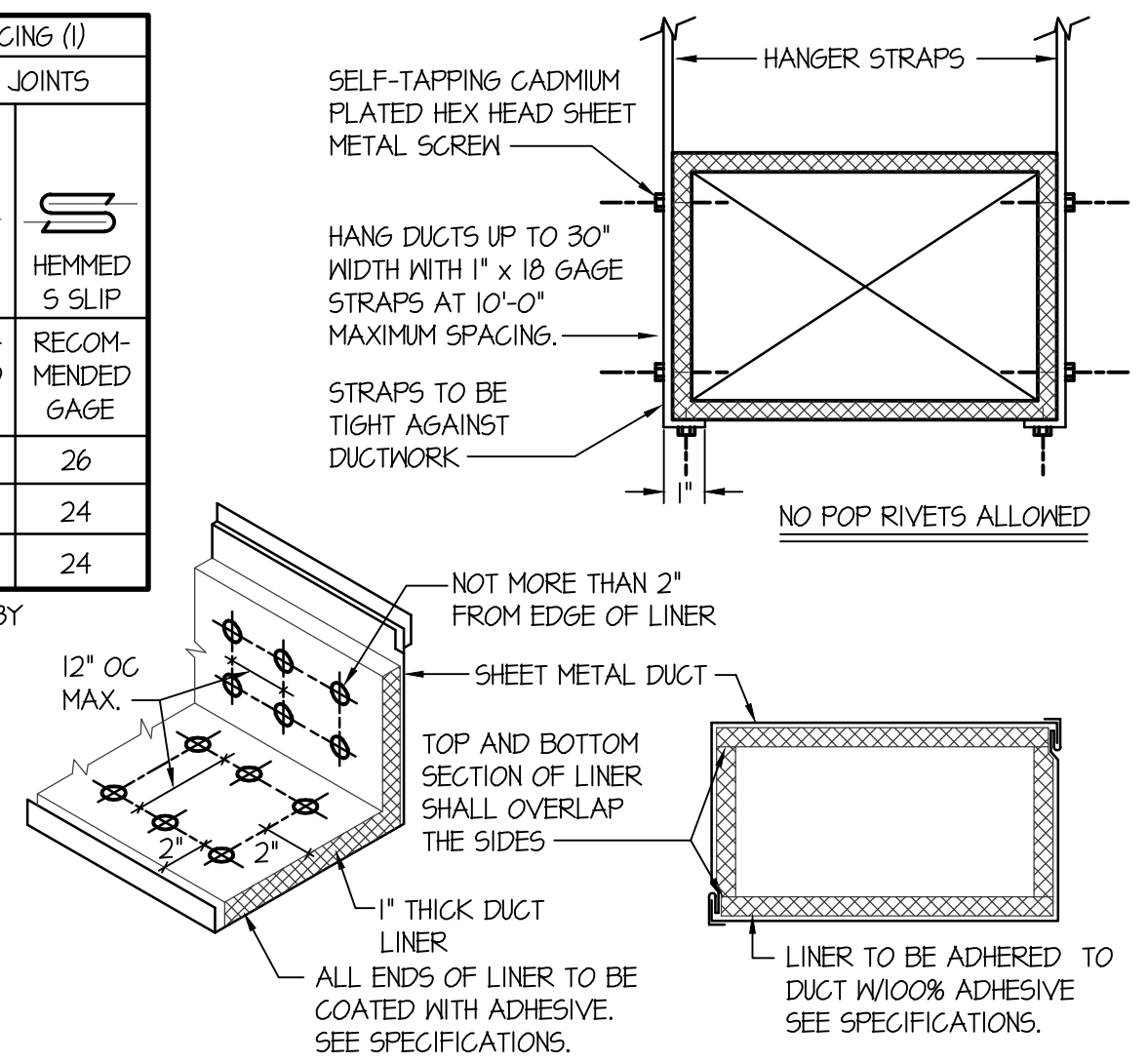
CEILING DIFFUSER DETAIL WITH FLEXIBLE DUCT
NO SCALE



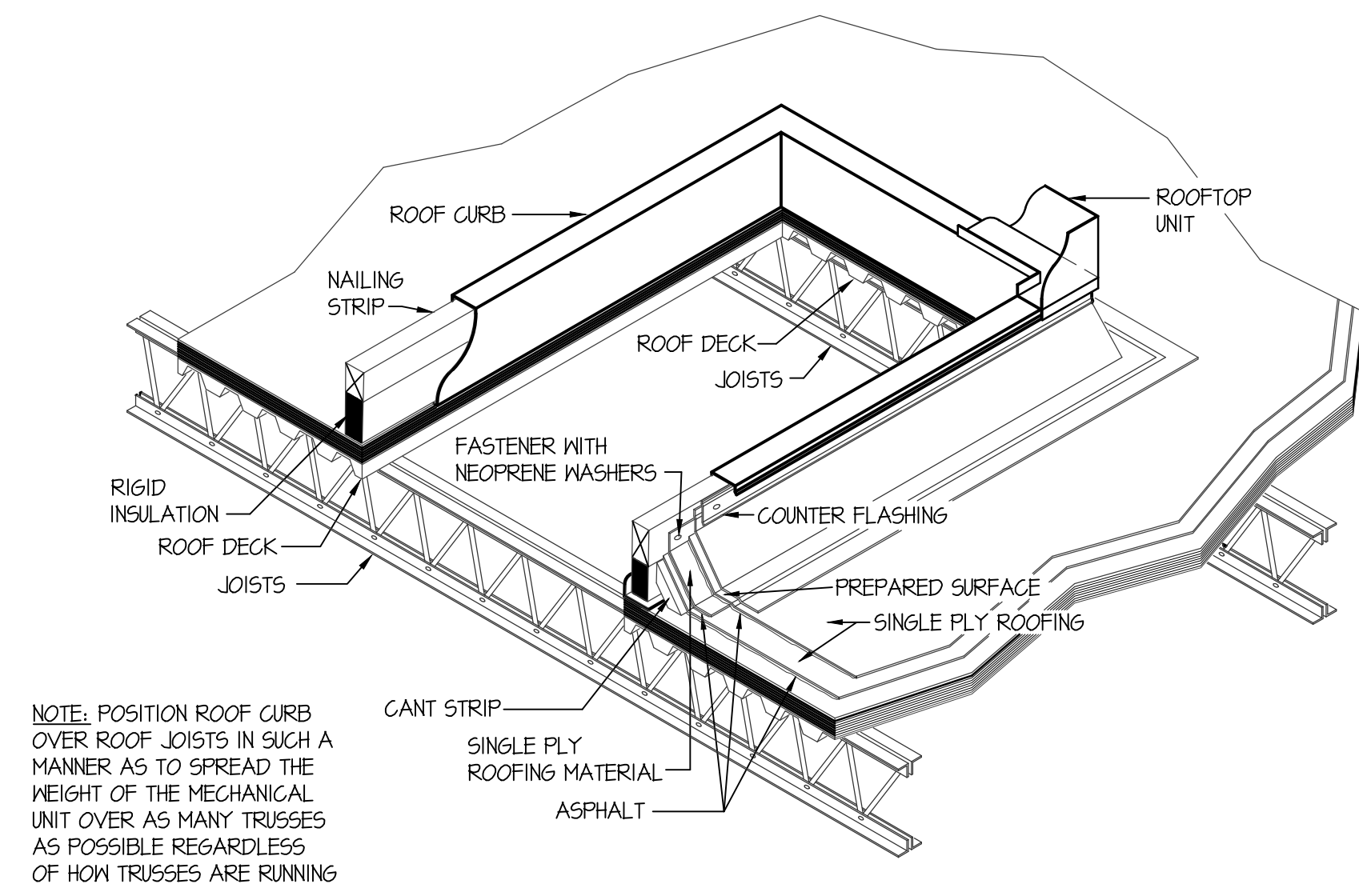
CEILING DIFFUSER DETAIL WITH FLEXIBLE DUCT
NO SCALE

DIMENSION OF LONGEST SIDE, INCHES	SHEET METAL GAGE (ALL FOUR SIDES)	TRANSVERSE REINFORCING (1)	
		MINIMUM REINFORCING ANGLE SIZE AND MAXIMUM LONGITUDINAL SPACING BETWEEN TRANSVERSE JOINTS &/OR INTERMEDIATE REINFORCING	AT JOINTS
UP THRU 12	26	NONE REQUIRED	26
13 - 18	24	NONE REQUIRED	24
19 - 30	24	1"x1/8" @ 60 IN	24

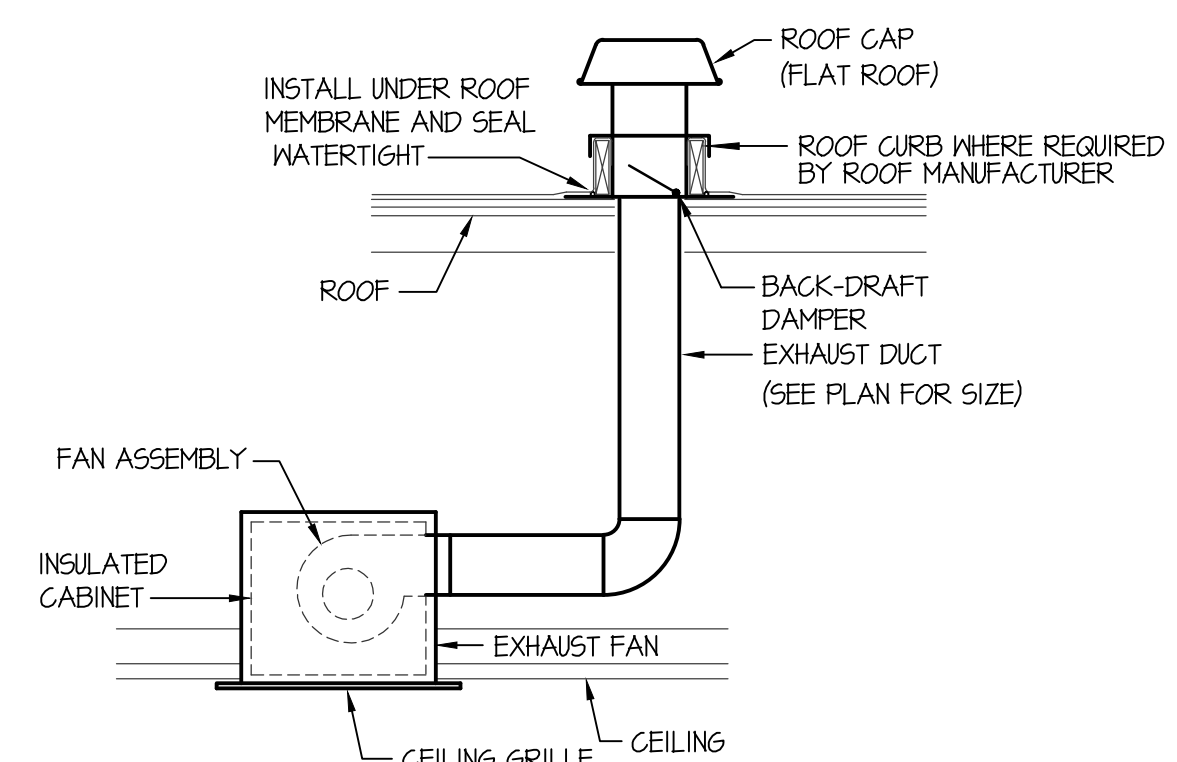
(1) TRANSVERSE REINFORCING SIZE IS DETERMINED BY DIMENSION OF SIDE TO WHICH ANGLE IS APPLIED.
METAL FASTENERS - OMARK INSULPING, DURO DYNE FASTENERS OR GRIPNAILS.
GRIP NAILS SHALL BE INSTALLED BY GRIPNAIL AIR HAMMER OR BY AUTOMATIC FASTENER EQUIP.



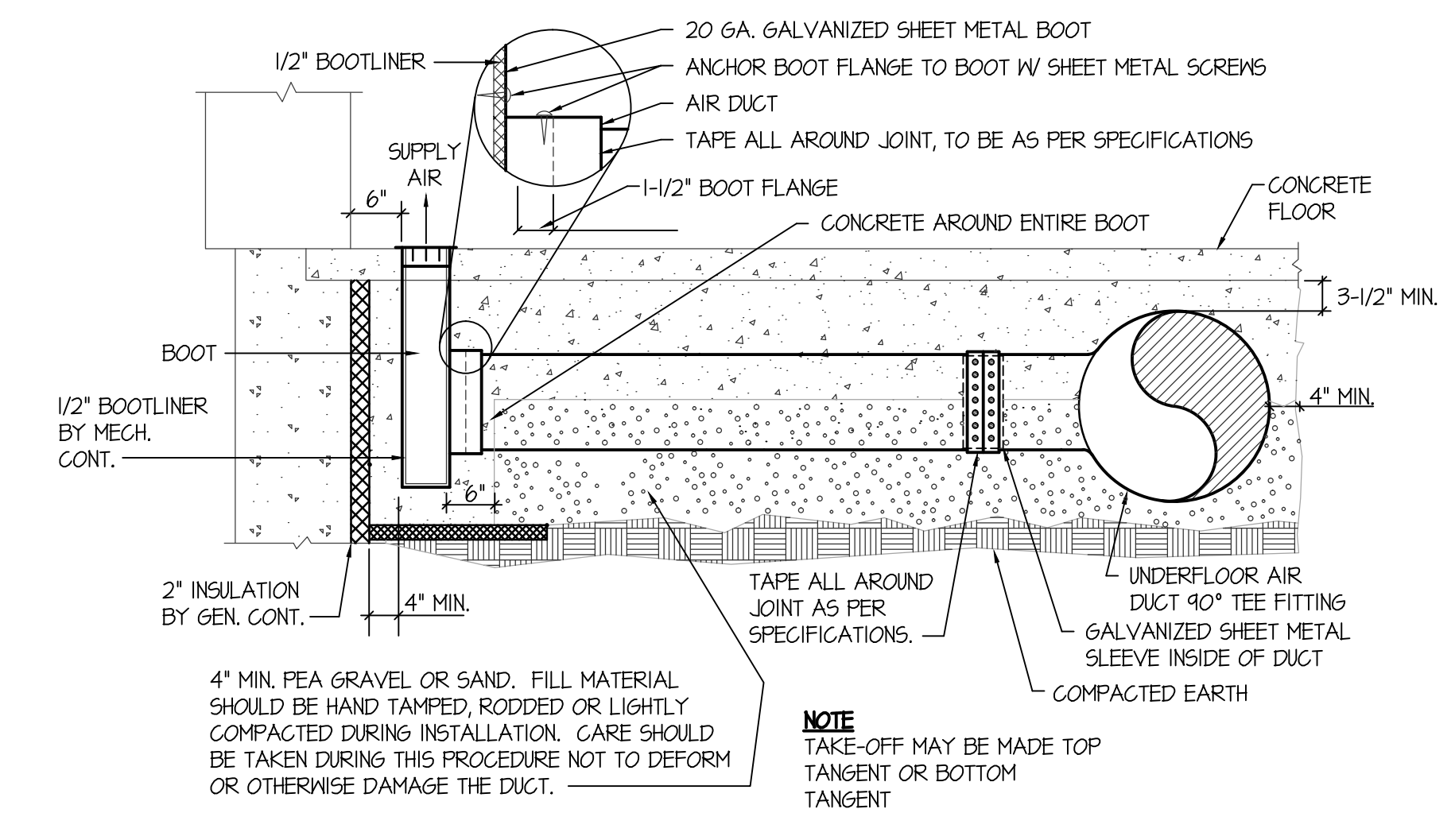
DUCT CONSTRUCTION AND HANGER DETAIL
NO SCALE



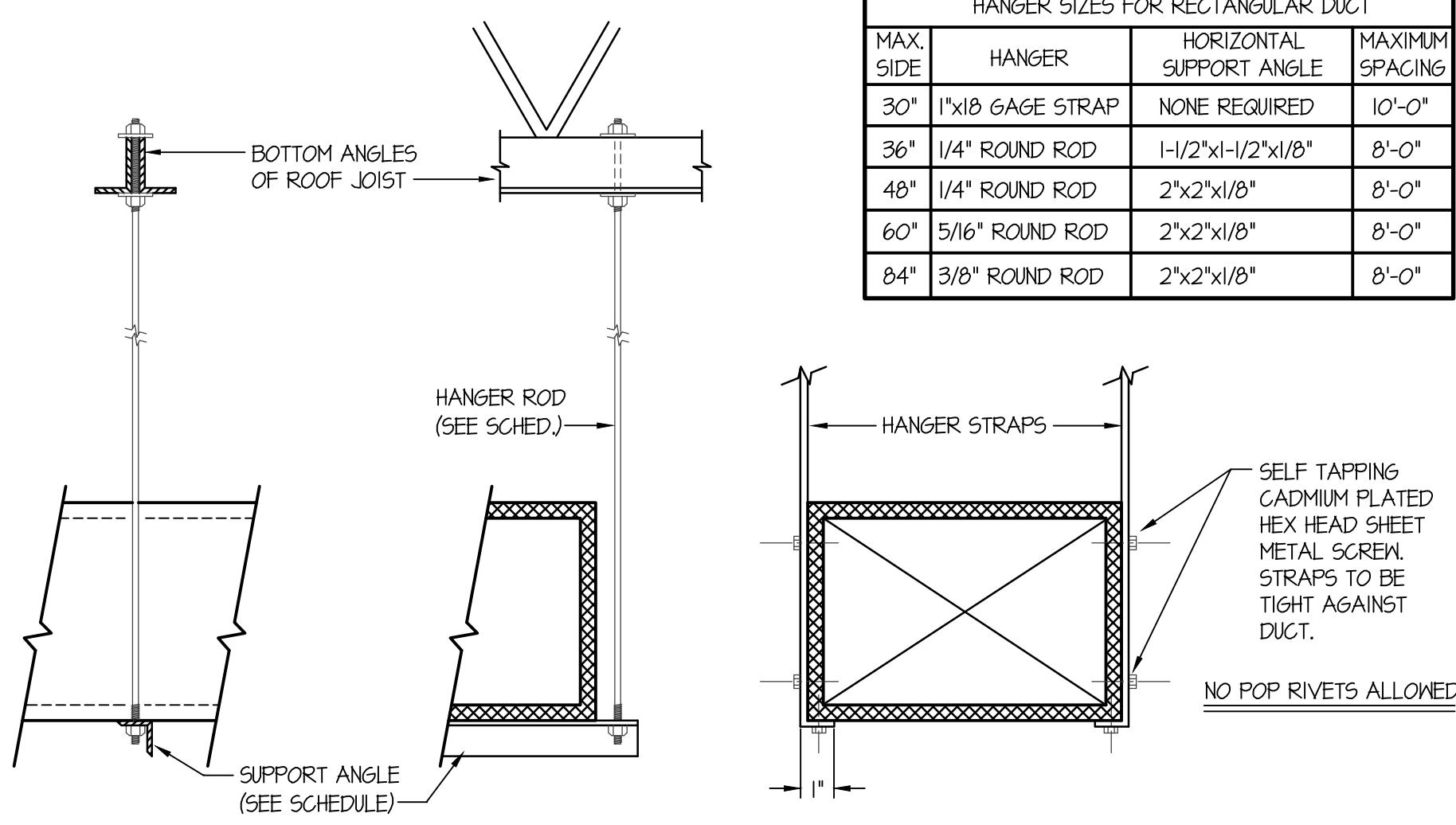
TYPICAL ROOFTOP MOUNTING DETAIL
NO SCALE



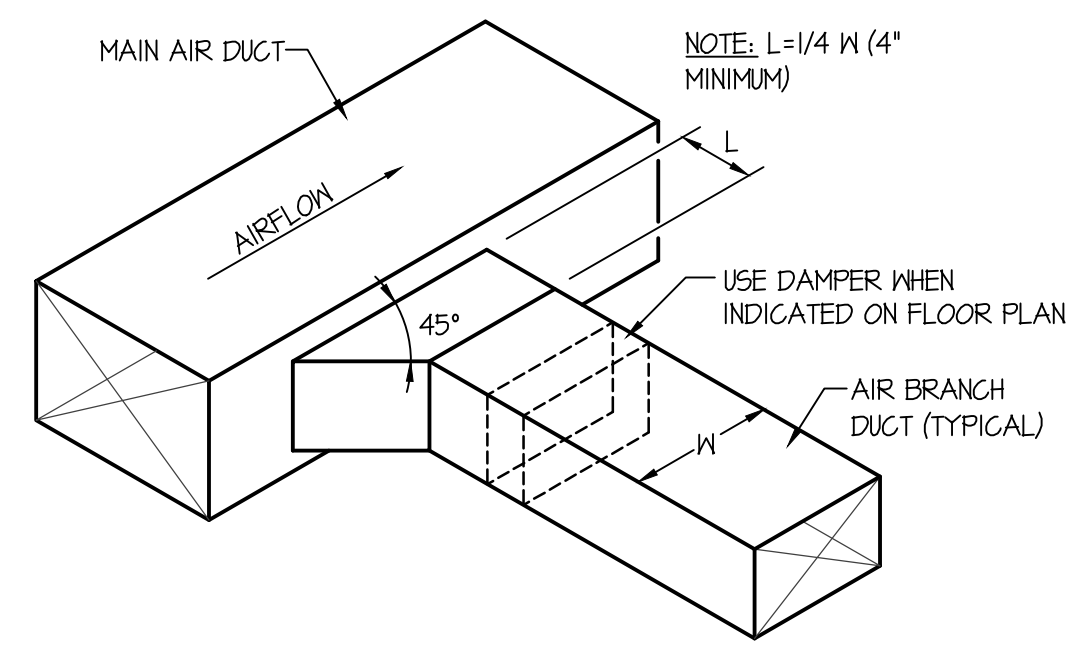
CEILING MOUNTED EXHAUST FAN DETAIL
NO SCALE



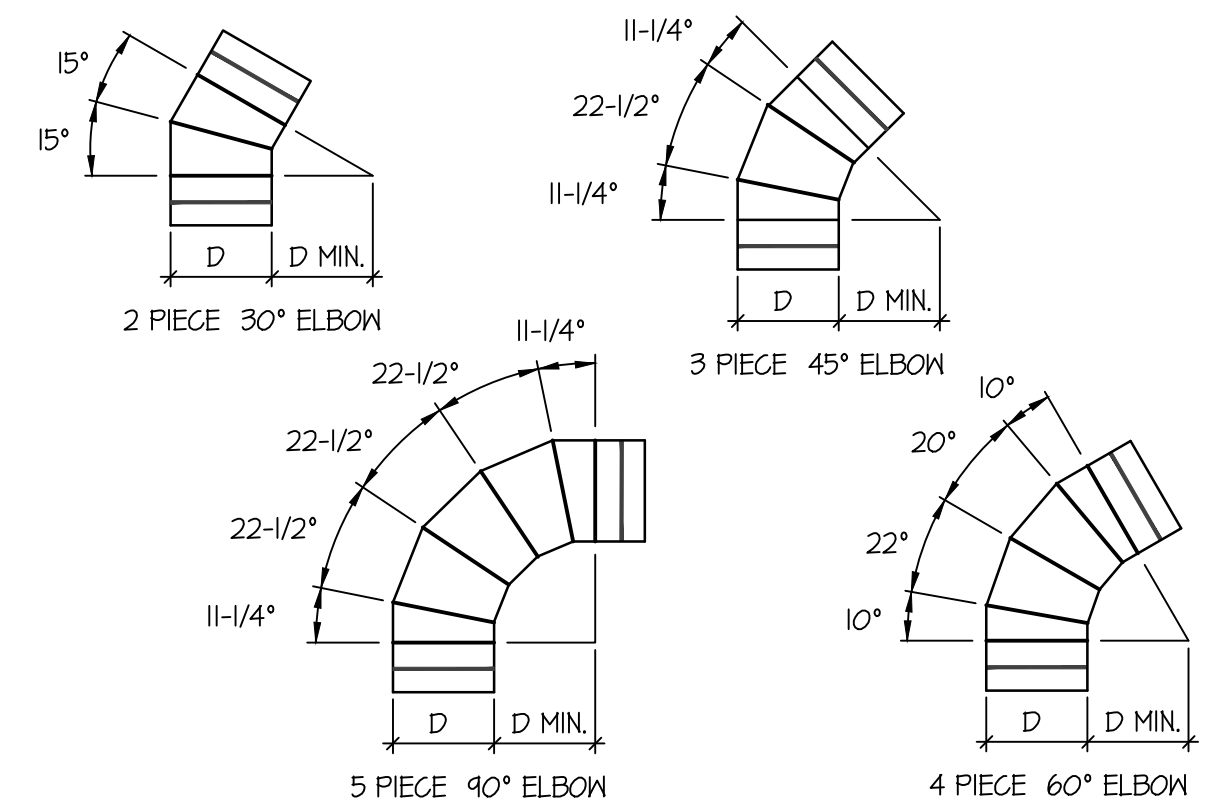
UNDERFLOOR DUCT & BOOT CONNECTION DETAIL
NO SCALE



DUCT STRAP HANGER DETAIL
NO SCALE



RECTANGULAR DUCT CONNECTION DETAIL
NO SCALE



ROUND DUCT ELBOW DETAILS
NO SCALE

ORIGINAL DRAWING SIGNED BY: DWAYNE C. SUDWEEKS
DATE ORIGINAL SIGNED: FEB. 14, 2020
ORIGINAL ON FILE AT ENGINEERED SYSTEMS ASSOCIATES
1355 EAST CENTER, POCA TELLO, IDAHO 83201

Engineered Systems Associates
1355 EAST CENTER
POCA TELLO, IDAHO 83201
PHONE: (208) 233-0501
FAX: (208) 233-0529
EMAIL: esa@engsystems.com
ESA JOB NUMBER: 18080

PROFESSIONAL ENGINEER REGISTERED
5762
STATE OF IDAHO
DWAYNE C. SUDWEEKS

PROJECT: CHUBBUCK CITY HALL
SHEET TITLE: MECHANICAL DETAILS

REVISION	DATE

CONTRACTOR SHALL VERIFY ALL DIMENSIONS & CONDITIONS SHOWN OR IMPLIED
DRAWING SCALE APPLIES TO 22' X 34' SHEET SIZE

DRAWN BY: SR
CHECKED BY: DCS
JOB NUMBER: 46548-13B
PROJECT DATE: FEB. 2020
SHEET OF
M200